



Passive Inlet Vents

Provide make-up air to help balance indoor vs. outdoor air pressure.

FV-GKF32S1

12 & 18 CFM

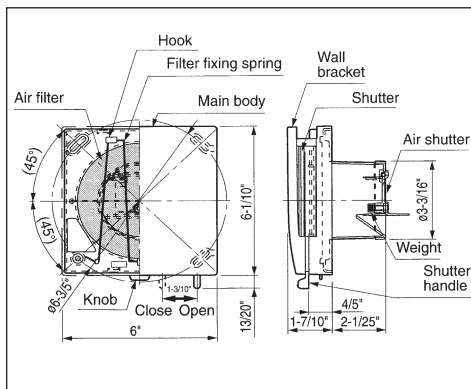


Advantages

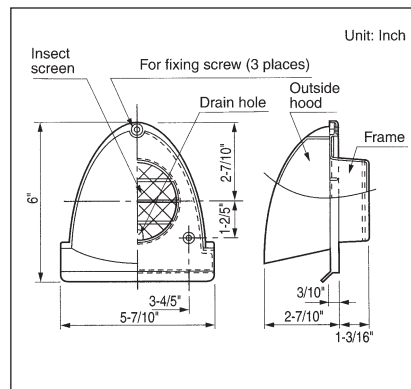
- Super quiet operation
- Sturdy open/close lever
- 2 position air delivery – 12 and 18 CFM
- Washable air filter
- Bug screen
- Foam pad reduces outdoor noise and condensation
- Insulation lining to prevent condensation
- 3" diameter, 12" length through-the-wall sleeve
- Durable ABS and PP resin body

Parts Names and Dimensions

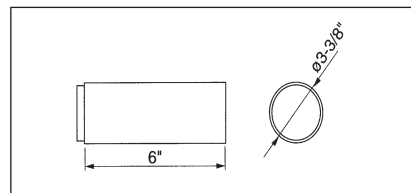
Main Body



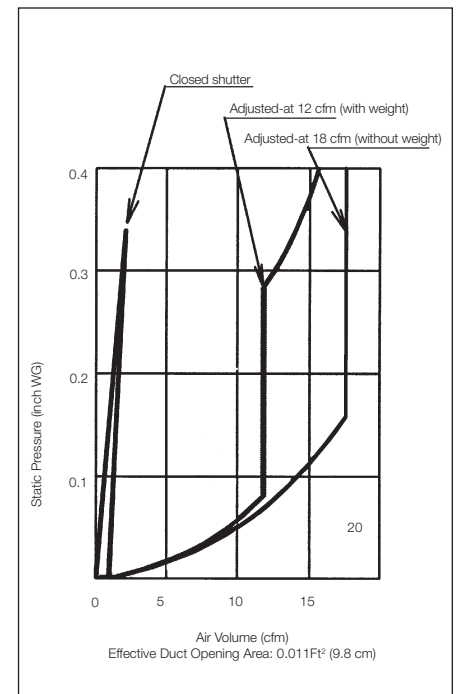
Outside Hood



Duct x 2 pcs.



Performance Curve



Panasonic Canada Inc.
5770 Ambler Drive,
Mississauga, ON
L4W 2T3
email: ventilationfans@ca.panasonic.com
www.panasonic.ca

