

Tankless water heaters for the professional

# ***ProTankless™* GWH 635 ES**

## **Features:**

- ▶ Electronic ignition and built-in power vent
- ▶ 87% average efficiency – energy factor of .85
- ▶ Vents vertically or horizontally with 3" stainless steel (AL29-4C)
- ▶ Direct vent room-sealed combustion
- ▶ Computerized temperature control – ensures constant temperature
- ▶ Available in natural gas (NG) or liquid propane (LP)
- ▶ 15-year warranty



## **Versatility and Dependability.**

### ***Now Capable of Cascading!***

Double your volume of hot water by linking units together. (Requires Tankless Link accessory)



**BOSCH**

Invented for life

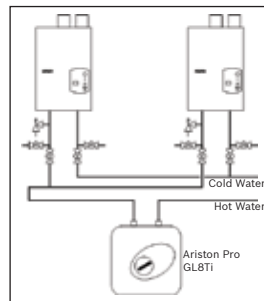
Qualifies for \$300 U.S. Federal Tax Credit



# With sealed combustion, a 3" vent, the ability to vent either horizontally or vertically, and capable of cascading two units together, the GWH 635 ES can be installed almost anywhere.

Part # **GWH-635-ES-N** (Natural Gas)  
 Part # **GWH-635-ES-L** (Liquid Propane)

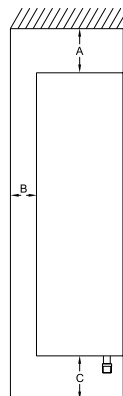
GWH 635 ES Technical Specifications	
Power Input	Natural Gas: 35,000 - 175,000 Btu
	LP Gas: 31,000 - 175,000 Btu
Minimum Flow to Activate	0.8 gallons per minute (gpm)
Flow Rates	45°F rise @ 6.4 gpm
	55°F rise @ 5.2 gpm
	65°F rise @ 4.5 gpm
	77°F rise @ 3.7 gpm
	90°F rise @ 3.2 gpm
Energy Factor	NG: .85 LP: .86
Thermal Efficiency	NG: 87% LP: 86%
Dimensions	23.5" h x 15.75" w x 8.5"d
Weight	47 lbs.
Modulating Gas Valve	Yes
Ignition	Electronic
Accessories	Horizontal Vent Kit (Part #4TWHVK3S)
	Wireless Remote (Part #TSTAT2)
	Tankless Link Cascading Kit (Part #TLINK)



Recommended installation for cascading application shown with mini-tank.

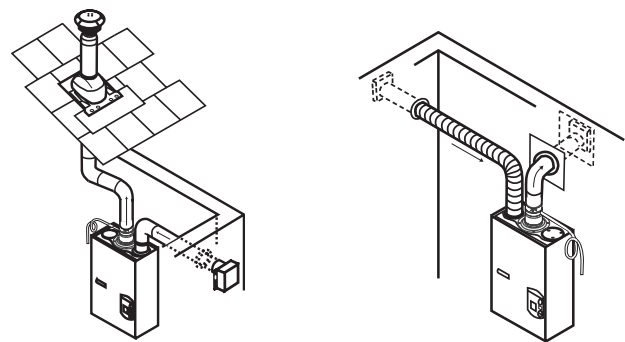
GWH 635 ES Installation Specifications	
Gas Connection	3/4" Male NPT
Water Connections	3/4" Male NPT
NG Gas Pressure	Minimum: 5" WC
	Maximum: 14" WC
LP Gas Pressure	Minimum: 11" WC
	Maximum: 14" WC
Water Pressure	Minimum: 30 PSI
	Maximum: 150 PSI
Electrical Supply	120VAC – plugs in
Vent Size	3" stainless steel (AL29-4C) – Direct vent room-sealed combustion

All information in both Technical and Installation Specification charts are for one GWH 635 ES.



GWH 635 ES Installation Clearances	
Top (A)	12"
Front (B)	4"
Back	0"
Sides	1"
Floor (C)	12"

## Model GWH 635 ES Venting Configurations



Ships complete with wall mounting bracket, pressure relief valve, condensate drain kit, built-in electronic temperature controls and equipped with 120V plug-in power cord.



**BBT NORTH AMERICA CORPORATION**  
 Bosch Group

Bosch Water Heating  
 340 Mad River Park  
 Waitsfield, VT 05673

Telephone: 866.642.3198  
 www.boschpro.com



**BOSCH**

Invented for life