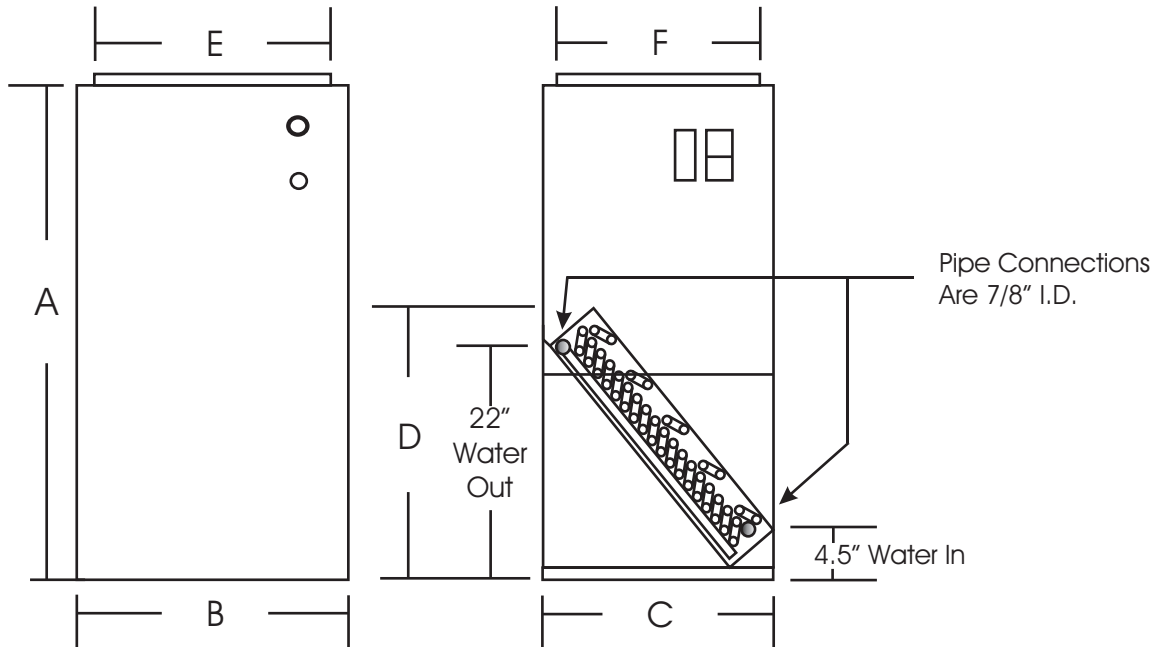
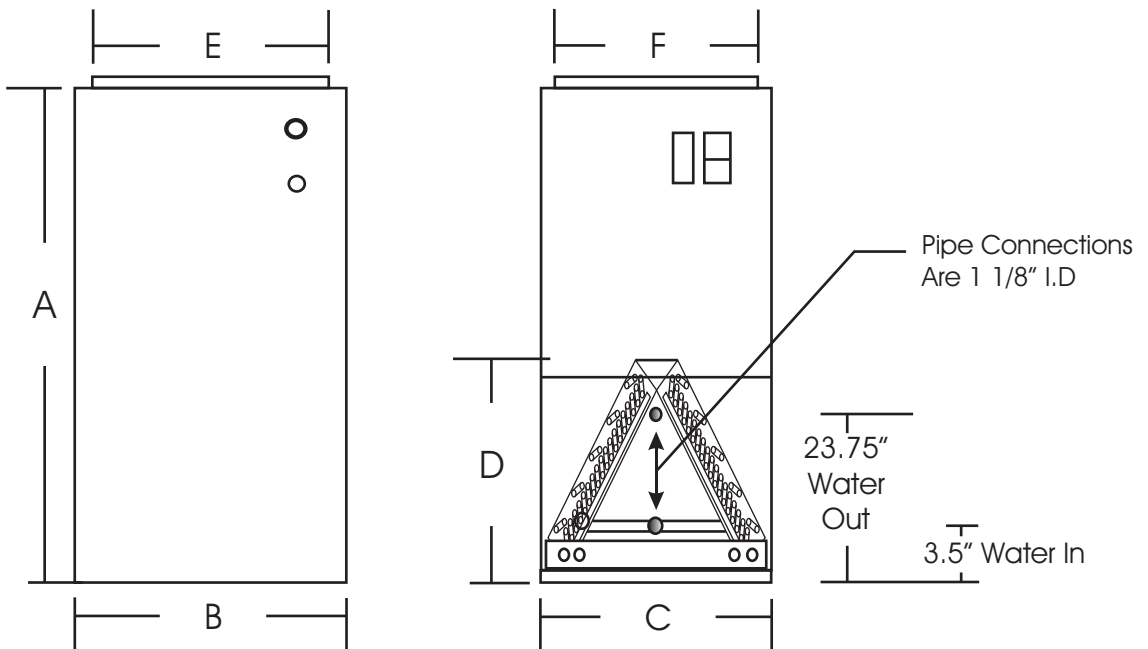


Model 24, 36 & 60  
Heat/Cool Hydronic Coil  
Air Handler



	A	B	C	D	E	F
Model W2-24	44	22	15	22	17	13.5
Model W3-36	48	22	18.5	23	17	17



	A	B	C	D	E	F
Model W6-60	53	26	22	25.5	21	20.5